

## Smart Outdoor Security Camera

The 3<sup>rd</sup> Generation Thermal SightSensor® is designed for outdoor perimeter and area security, day and night, in all weather conditions. The new SightSensor has four times the processing, is one-third the size, and consumes half the power of the prior generation. With lens options that range from wide areas (90° FOV) to 600m distances, the Thermal SightSensor leverages on-board video processing for high Probability of Detect (PD) and low Nuisance Alarm Rate (NAR) analytics while providing crisp, clear video at all times.





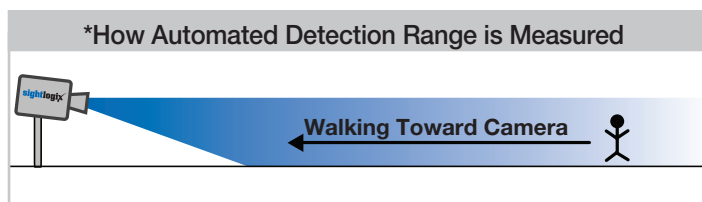
Features	Benefits
Precision GPS Analytics integrated within the camera	Analyzes every pixel of every video frame to accurately detect size, velocity and location
Precision Video Enhancement Technology	See crisp, clear thermal video detail - 24 hours/day, all seasons
Electronic Video Stabilization (translation, rotation and zoom)	Eliminates nuisance alerts from wind, machinery, trains, planes, construction equipment
EasyConfig calibration software for stand-alone applications	Scene calibration for target position by entering camera's height
Precision detection of intruders up to 600 meters and vehicles up to 1500 meters	Lowest cost/meter for perimeters - Lowest cost/square meter for area coverage
Detects up to 64 simultaneous intruders that violate a site's security policies	Accurate intrusion detection over large outdoor areas
Detects intruders while ignoring foliage, water, headlights, wind-blown objects	Increased accuracy and reduced nuisance alarms
Automatically adapts to the environment	No tuning or seasonal adjustments needed
Intruder locations displayed on site map in real time (Enterprise Mode)	Provides situational awareness over secured area
Seamless alarm and video integration with third-party VMS, PSIM and C2 Systems	Open-system design to support wide-range of industry solutions
Network Time Protocol (NTP) Clock Synchronization	Time-based security policies; time-stamped video overlays and accurate PTZ control
Stored Audio Message Output	Trigger audio message in response to alarm condition
Low power - 6 watts maximum (without heater in use)	Can operate on solar power to eliminate infrastructure and construction costs
Nitrogen pressurized enclosure (NEMA 4X)	Built for reliable performance and extended life in all weather and climates
Long Wavelength Infrared (LWIR) Uncooled Thermal Imager	Detects intrusions in zero light, bright sun, unlit areas near roads, and over water

## Ordering Information

Part Number	Automated Detection Range of a Person*	FOV	Power
NS35-300	35m (115ft)	90°	24V AC/DC PoE
NS55-300	55m (180ft)	65°	
NS95-300	95m (310ft)	40°	
NS160-300	160m (525ft)	24°	
NS242-300	242m (790ft)	16°	
NS430-300	430m (1410ft)	9°	
NS600-300	600m (1965ft)	6.2°	

Detection ranges for person walking toward camera - the most difficult scenario

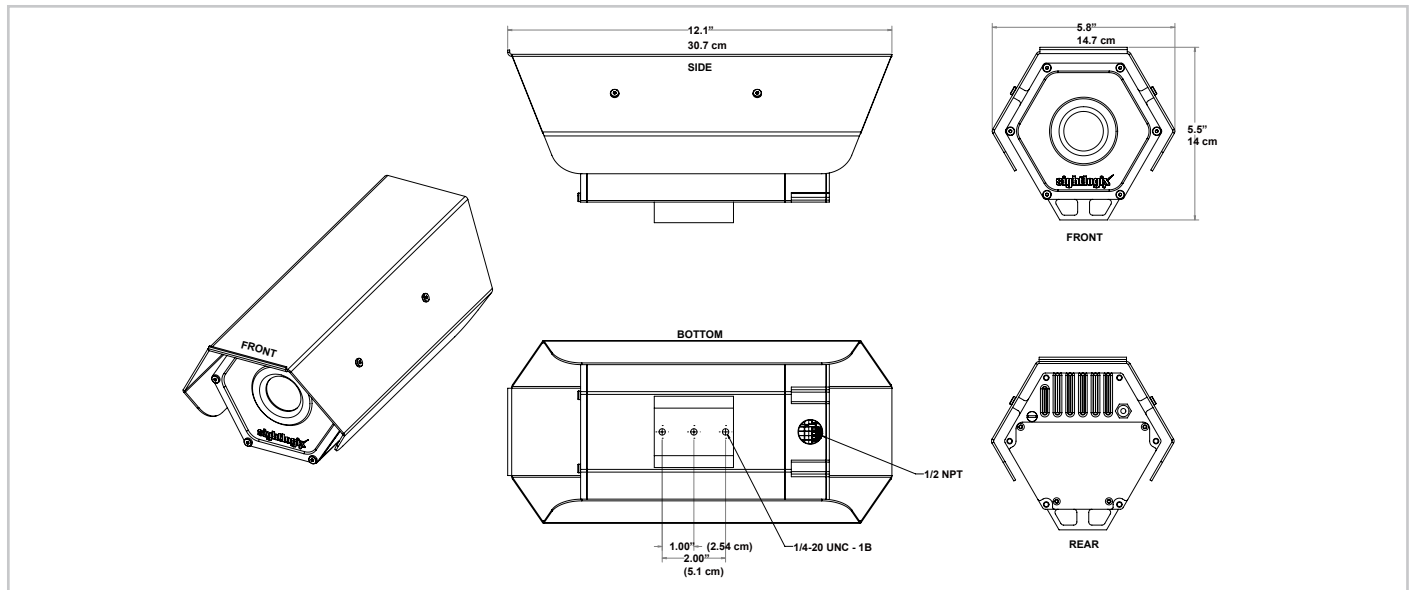
Market Comparable	SightLogix
Wide Dynamic Range 640 x 480	Precision Video Enhancement 320 x 240
	
SightLogix processing yields unmatched accuracy and clarity	



- ### Accessories
- Mounts** – Refer to the *SightLogix Accessories Datasheet*.
  - SightMonitor** – GPS-based target display and coordination software. Refer to the *SightLogix SightMonitor® Datasheet*.
  - SightTracker** – Automatic PTZ controller. Refer to the *SightLogix SightTracker™ Datasheet*.

# Specifications

Imager		Network	
Detector	Un-cooled VOx Microbolometer	Ethernet Wired	10/100 RJ45, IEEE 802.3, 802.3i, 802.3u
Spectral Response:	8-14 micron	Data Rate	64 kbps to 8 Mbps
Picture Elements	320 (H) x 240 (V) Lens (fixed)	Operating Mode	100 Mbps - Full-duplex, Half-duplex 10 Mbps - Half-duplex only
Lens / Field of Views	Fixed focus: 90°, 65°, 40°, 24°, 16°, 9°, 6.2°	Protocols	ONVIF, DHCP, IPv4, HTTP, HTTPS, SSL, SLP, DNS, NTP, RTSP, RTP, TCP, UDP, IGMP, RTCP, ICMP, ARP
Dynamic Range	14 bit digital sensor interface	Configuration	SightMonitor or Web browser (using default IP address)
Thermal Sensitivity f/1.0	< 50 mK at room temperature	Target Tracking Output	
Video Output		Communications	Metadata via industry standard XML over a HTTP/HTTPS interface for 3rd-party integration
Compression Type:	H.264, MPEG-4 (Simple Profile), MJPEG	Tracked object parameters	Current time, alarm state, creation time, GPS position, size, heading, speed, aspect ratio, and alarm zone
Resolution	320x240	SightTracker (optional)	Provides detected targets' GPS coordinates to automatically position PTZ cameras for continual tracking
Frame Rate	Up to 30 frames per second; user configurable	Electrical	
Voltage:	24 VAC/DC +/- 10% or PoE IEEE 802.11af (Window Heater use requires 24 VAC/DC)	I/O Connectors	RJ45 (Ethernet), RS422/RS232, RS485, SMB (video out), terminal blocks for power, audio out/in, relay out, dry contact in
Audio	Audio In: Unbalanced microphone input Audio Out: Balanced line output	Power:	6 watts max (+20W for Window Heater for severe icing conditions)



Camera Enclosure		Environmental	
Weight:	2.1 kg (4.6 lbs.)	Operating Temperature	-30° to +60°C (-22° to +140°F) -
Dimensions:	30.7 cm L x 14.7 cm W x 14.0 cm H (12.1 L" x 5.8 W" x 5.5 H")	Storage Temperature	-40° to +80°C (-40° to 176°F)
Enclosure:	NEMA 4X (IP67 Rated)	Relative Humidity:	0 to 100%
Nitrogen purge pressure	6 psi	Safety Compliance:	FCC Part 15, Class A CE
Mounting:	3 x 1/4-20 UNC bolts		

Specifications are subject to change without notice.  
© SightLogix, Inc. SightLogix, SightSensor and SightMonitor are registered trademarks of SightLogix, Inc.