



MD-Series

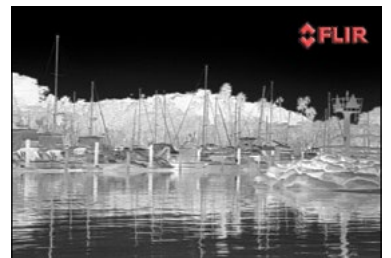
Compact Fixed-Mounted Thermal Night Vision Cameras



Your Vision



FLIR Vision



Safe Navigation in tight spots

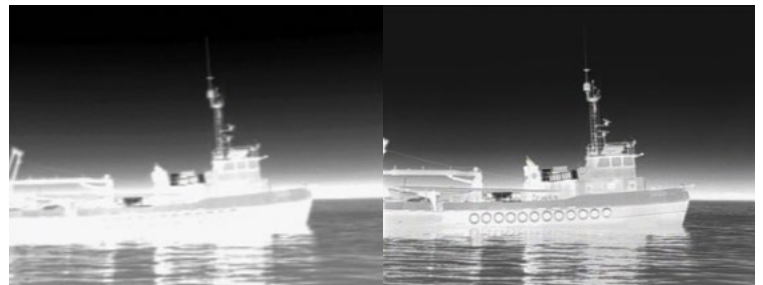
The New Compact Powerful Thermal Advantage

The new FLIR MD-Series thermal night vision camera is designed to increase your situational awareness without blowing your budget. Thermal imaging cameras detect and display tiny differences in heat, not light. So no matter how much light is available—from pitch black to moonlight to severe midday glare—thermal imagers display clear infrared imagery.

The MD-Series is an affordable, compact fixed-mounted thermal night vision system that helps with steering around obstacles, collision avoidance, and finding people in the water at night. Simple to mount and easy to integrate into your existing electronics, MD-Series outputs standard analog video that can be easily displayed on almost any monitor at the helm or other locations on the vessel.

Key Features of MD-Series:

- Available in 320 x 240 and 640 x 480 resolutions
- 2x e-zoom standard; 4x e-zoom included on MD-625
- Ethernet-enabled for simple integration into your current electronics
- Compact, all weather, water proof enclosure provides for easy mounting
- Ball up or ball down mounting options
- User interface control through an iOS device via onboard Wi-Fi network
- Polarity: Toggle between white hot, black hot and marine red



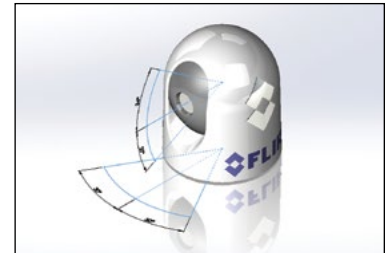
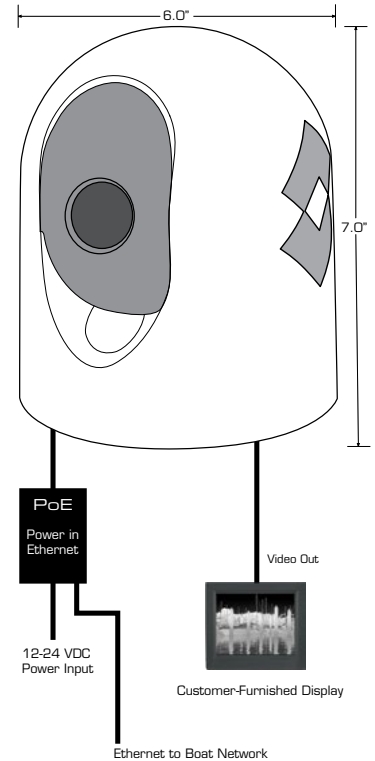
MD-324 comes with a 320 x 240 detector (left). MD-625 comes with a high-resolution 640 x 480 detector (right), which provides a sharper image and longer range performance.

Call 1.877.545.5094 for more information, or visit: www.FLIR.com/MD-Series.

FLIR MD-Series



Thermal Imaging Specification	MD-324	MD-625
Sensor Type	320 x 240 VOx Microbolometer	640 x 480 VOx Microbolometer
FOV	24° x 18° (NTSC)	25° x 20° (NTSC)
Focal Length	13 mm	25 mm
E-zoom	2x	2x, 4x
Image Processing	FLIR Proprietary Digital Detail Enhancement	
System Specifications		
Size	6" dia. x 7" ht.	
Weight	~ 3 lbs	
Pan/Tilt Adjustment Range	Pan: ±30° per key, Tilt: +34°, -27° (Locked in at Installation)	
Video Output	NTSC or PAL _i	
Connector Types	F-type or BNC. BNC to RCA adapter included. Kit also includes F-type on 11" pigtailed on camera, 25' video cable (F-type on one end BNC on the other)	
Power Requirements	PoE injector required per IEEE 802.3af (included)	
PoE Injector Power Requirement	12-24 VDC	
Power Consumption	4.8 W nominal; 12.5 W max	
Environmental		
Operating Temperature Range	-13°F to +131°F (-25°C to +55°C)	
Storage Temperature Range	-40°F to +185°F (-40°C to +85°C)	
Automatic Window Defrost	Automatic at startup	
Sand/Dust	Mil-Std-810E	
Water Ingress	IPx6 (heavy seas, powerful jets of water)	
Shock	15 g vertical, 9 g horizontal	
Vibration	IEC 60945; MIL-STD-810E	
Lightning Protection	Standard	
Salt Mist	IEC60945	
Wind	100 knot (115.2 mph)	
EMI	IEC 60945	
Thermal Range Performance		
Detect Man (1.8 m x 0.5 m)	~1,500 ft (0.24 nm)	~2,700 ft (0.44 nm)
Detect Small Vessel (2.3 m x 2.3 m)	~4,200 ft (0.67 nm)	~1.2 nm
Standard Package	Camera Head with 11" pigtailed, 25' Analog Video cable, 25' Ethernet cable, PoE injector, installation hardware, and Operator Manual CD	
Warranty	3 Year (with product registration)	
Optional Accessories	Low Smoke Zero Halogen Ethernet Cables	



Adjustable Mounting Angles for optimal performance (Locked in at Installation)

* Register camera at FLIR.com/cs/warranty to upgrade to a 3-year Parts & Labor, 10-year detector warranty for free.

** Actual object detection range performance may vary depending on camera setup, environmental conditions, user experience, and type of display used.



www.FLIR.com/MD-Series

PORTLAND
Corporate Headquarters
FLIR Systems, Inc.
27700 SW Parkway Ave.
Wilsonville, OR 97070
USA
PH: +1 877.545.5094

NASDAQ: FLIR